

## Cooker hob Foster Milano



Gas hobs

Code: 7648 000



### DETAILS

Edge/Installation Type Q4 (4 mm Edge)

---

Finish Foster brushed

---

Material AISI 304 stainless steel

---

Texture Brushed in line

---

Supply 220 - 240 V; 50/60 Hz

---

Dimensions 1056 x 560 mm

---

Base size 120 cm

---

Heating element Five burners

---

Cut out 1036x540 mm

---

Grids Cast iron grids and enamelled burner covers

---

Width 105 cm

---

Total power 10.950 W

---

Auxiliary 2 x 1.000 W

---

Semirapid 1.750 W

---

Rapid 3.000 W

---

Dual 4.200 W

---

Power settings 9 power settings per zone

---

Safety Safety valve with quick-acting thermocouple

---

Ignition Electric ignition under knob

---

Gas type Tested for installation with natural gas, LPG nozzle set included.

---

Type Gas Hob

---

## EQUIPMENT

1 x Cast iron wok support 9601  
727

---

## FEATURES

### 56 cm deep

56 cm deep. An increased dimension synonymous with great functionality, which distinguishes the Foster Milano series.

---

### Aeo burners

The AEO burners guarantee up to 25% energy saving compared to standard burners. All models are designed with The Dual burner with 2 independent crowns, controlled by a single knob, delivers from 1 to 5KW, a power that can only be found in professional models.

---

### Cast iron grids

Cast-iron is the ideal material for an hob grid, this due to the manifold properties characterising it: high heat capacity that improves cooking performance; high weight and stability that improve safety; sturdiness that preserves the hob's original aspect over time; easy cleaning.

---

### Special burners

Many Foster hobs are equipped with special burners, with two or three rings of fire that greatly increase the power delivered and the heated surface. In the DUAL models the two fire crowns also have independent ignition, making these burners perfect for both intensive and delicate cooking.

---

### Under-knob ignition

The utmost freedom of movement with electronic under-knob ignition, a common feature of all models that allows a one-hand ignition of the burner.

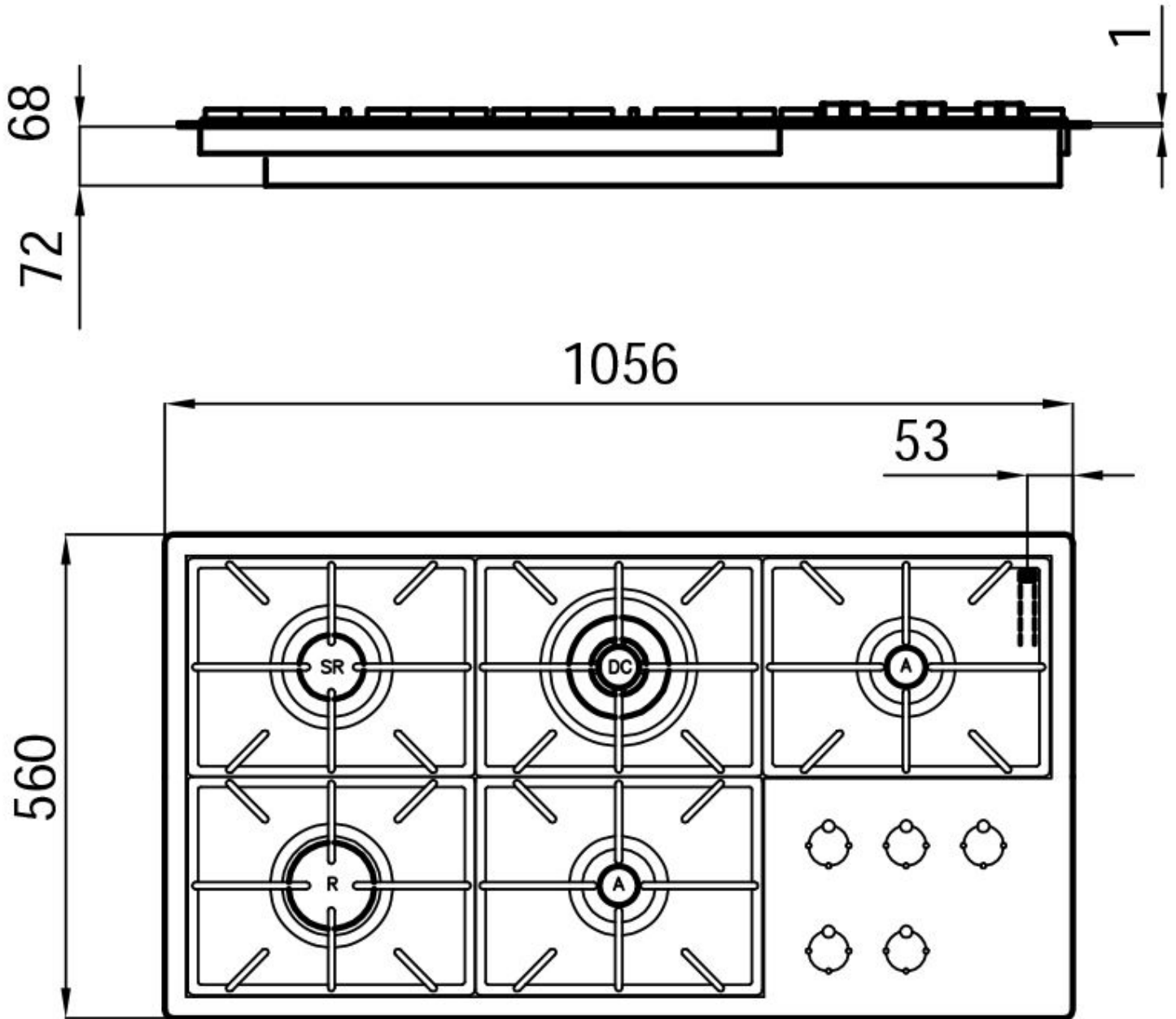
---

### XXL grids

The weighty enamelled cast iron grid has extraordinary dimensions, 33x25 cm, with a working surface up to 50% bigger compared to a standard cooker hob. Now you can use all the burners at the same time even with large cookware.

---

## TECHNICAL DATA



## GALLERY



## EQUIPMENT



**Cast iron wok support**  
9601 727